

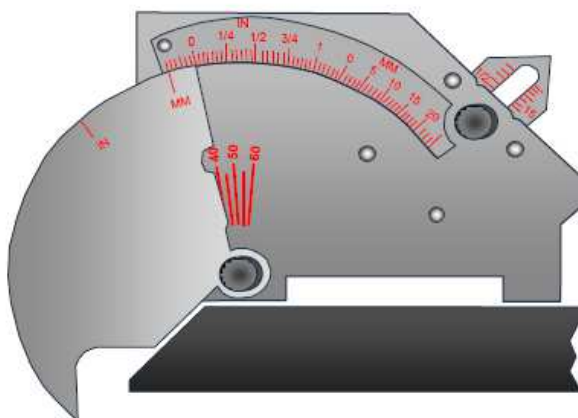
MONITORING KIT – WELDING COORDINATORS

Gauge “Cam Bridge” to check the dimensional verification of welding beads

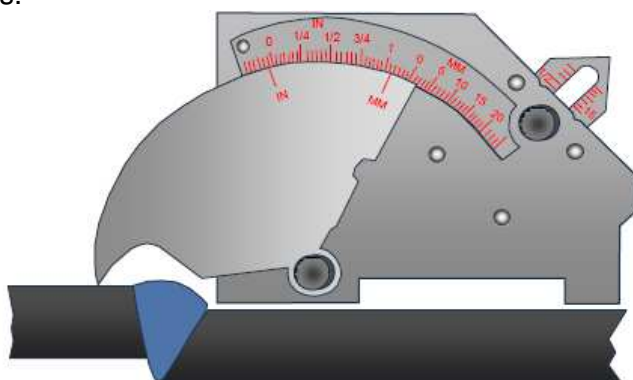
Welding gauge in stainless steel to be used to control the dimension of welding joints. It is an essential tool to verify the acceptability criteria in production according to normative EN ISO 5817. The gauge is equipped with two handy rulers, one in inches and one in mm, in order to conduct fast measurements of distances.

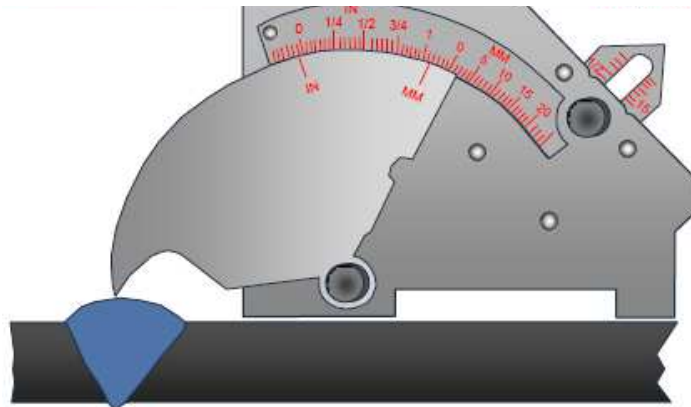
This gauge allows to conduct the following measurements:

- Preparation corner

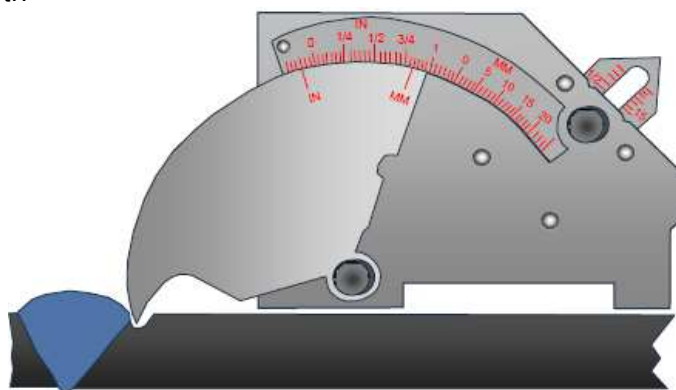


- Different levellings.

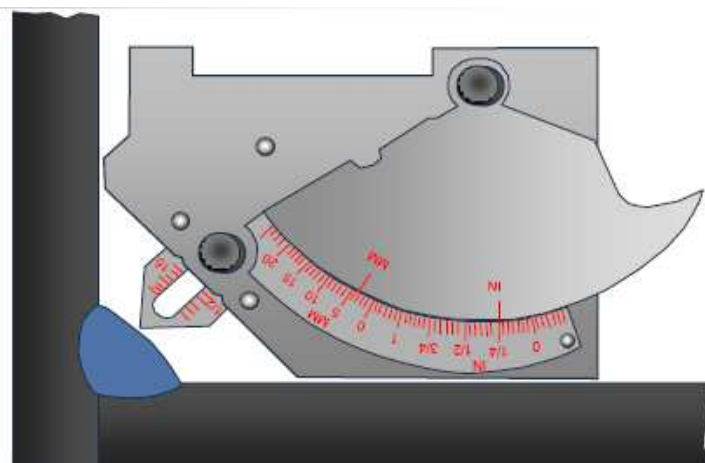




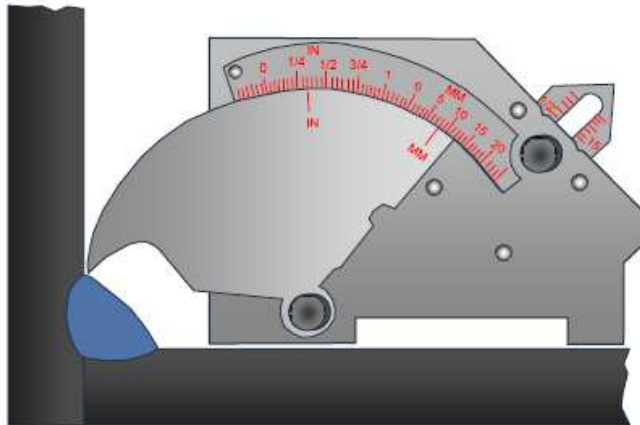
- Amount of excess metal
- Engravings depth



- Groove depth in corner joints

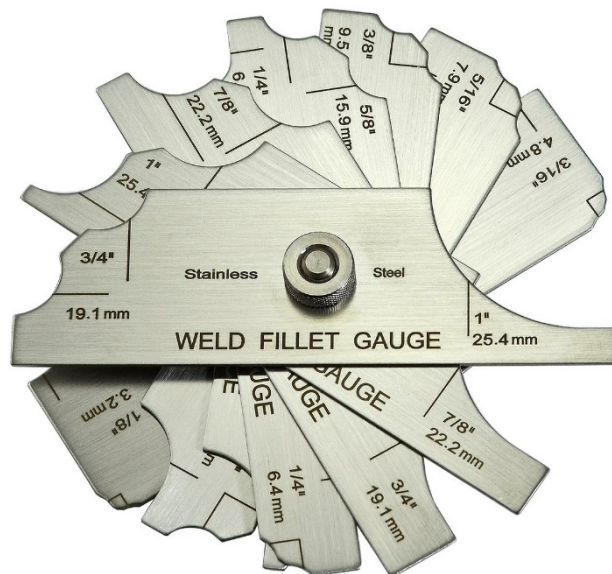


- Side of corner beads



Gauges set for dimensional verification of corner beads

Welding gauge in stainless steel to be used for dimensional controls of head and corner joints and groove depths from 3,2 to 25,4 mm (1/8" ÷ 12). The operator can remove the screw which fixes the single cleats and use the desired one placing it on the single bead.



Vernier digital Gauge 0-150 mm in stainless steel



Brass and stainless steel brushes for welding beads cleaning

Brushes to clean the surface to be inspected in order to eliminate possible oxides, paint or waste.



Brass

Stainless steel

Magnifying glass set 2,5x, 5x, 16x, equipped with led light.



Telescopic mirror with swivel mount



Zoom mode flashlight



Swivel telescopic led flashlight



Digital lux meter to measure luminous intensity

The tool allows to measure luminosity in the investigation area (unit of measurement lux).



THE WELDING GROUP

COMMERSALD

www.commersald.com

Digital infrared thermometer -50°C ÷ +550°C

Essential tool to check pre-heating temperature and WPS production interpass.



AZIENDA
CON SISTEMA
QUALITÀ
CERTIFICATO
SECONDO
UNI EN ISO 9001:2000
PER IL
COMMERCIO
DI MATERIALI
DI APPORTO
PER SALDATURA

SISTEMA DI GESTIONE
CERTIFICATO
REG. N. 343-A
UNI EN ISO 9001:2000
SITO CERTIFICATO ISO-MODENA

Commersald s.p.a
Via Bottego, 245
Cognento 41126 - Modena -
Tel. 059348411 Fax 059343297
info@commersald.com
P.I. 01277740369

Commersald s.p.a
Ufficio Milano
Tel. 059348409 Fax 059343297
fil.mi@commersald.com

Commersald Impianti s.r.l.
Via Labriola, 42
41123- Modena -
Tel. 059822374 Fax 059333099
iimpianti@commersald.com
P.I. 03125720361 C.F. 00344550363